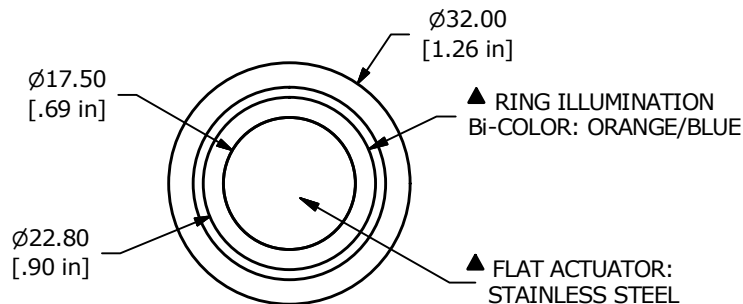
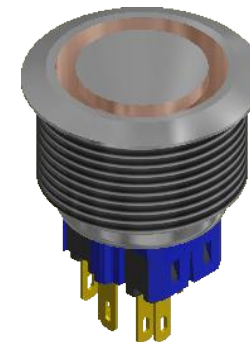


PANEL CUTOUT
MAX. PANEL THICKNESS 10mm



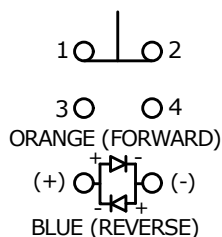
▲ RING ILLUMINATION
Bi-COLOR: ORANGE/BLUE

▲ FLAT ACTUATOR:
STAINLESS STEEL



▲ SWITCH FUNCTION

POS. 1	POS. 2
1-2 ON 3-4 OFF	1-2 (OFF) 3-4 (ON)

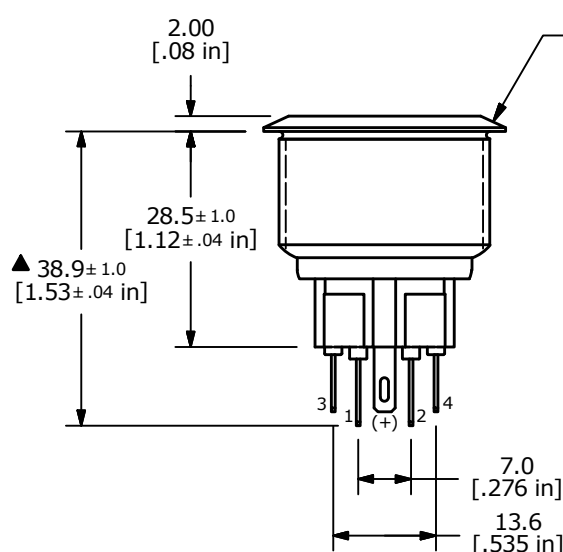


ORANGE (FORWARD)

BLUE (REVERSE)

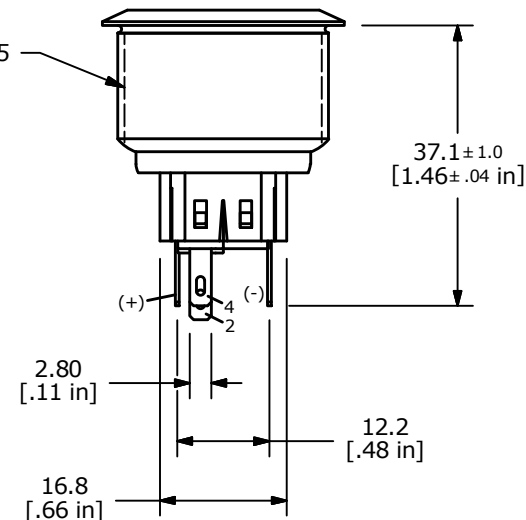
() = MOMENTARY

▲ SPDT ON-(OFF) / OFF-(ON)
CONTACT CONFIGURATION
() DENOTES MOMENTARY FUNCTION



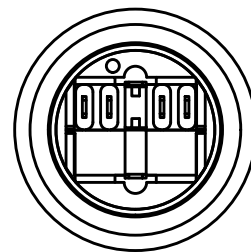
▲ BODY:
STAINLESS STEEL

M28x1.5



NOTE:

1. ALL DIMENSIONS IN MM [INCH]
2. GENERAL TOLERANCE: X.X = ± 0.4
X.XX = ± 0.25
3. TERMINAL NOS. FOR REF. ONLY
4. RATING: 2A @ 48VDC
5. CONTACT RESISTANCE: 50mΩ MAX. @ 1A 12VDC
6. INSULATION RESISTANCE: 1,000MΩ @ 500VDC
7. DIELECTRIC STRENGTH: 2,000VAC MIN. FOR 1 MINUTE
8. ELECTRICAL LIFE: 50,000 CYCLES
9. OPERATING TEMPERATURE: -20°C to 55°C
10. INGRESS PROTECTION: IP66
11. SUPPLIED HARDWARE: O-RING AND HEXNUT
12. ▲ DENOTES CRITICAL PARAMETER
- ▲ 13. ILLUMINATION VOLTAGE: 12V



B	23839	UPDATED RATING TO IP66	4/8/19	MJR
A	22747	RELEASE FOR PRODUCTION	3/7/17	MW
REV	PCR NO	DESCRIPTION	DATE	BY

TITLE PV9F2Y0SS-3L4				
SCALE 1:1	DATE 3/7/2017	DR MW	DWG 52-PV9F2Y0SS3L4	REV B

THE INFORMATION CONTAINED IN THIS DOCUMENT IS PROPRIETARY TO E-SWITCH AND IS NOT TO BE COPIED OR TRANSFERRED